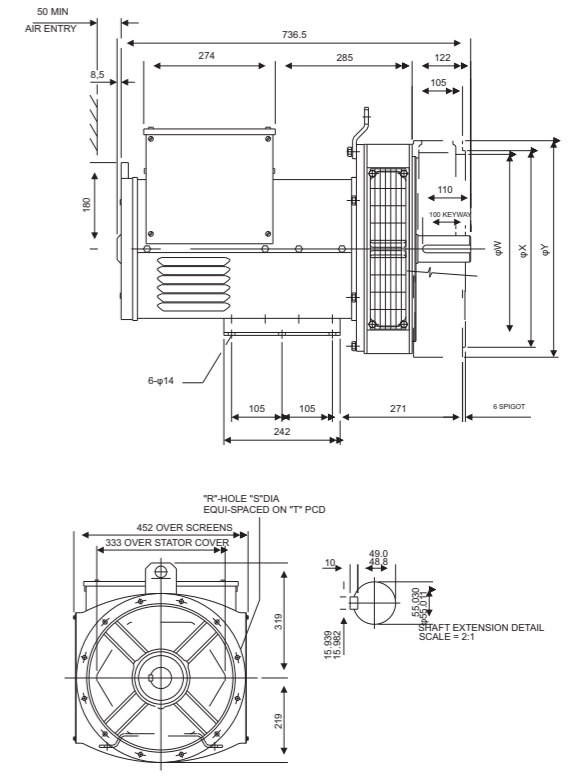
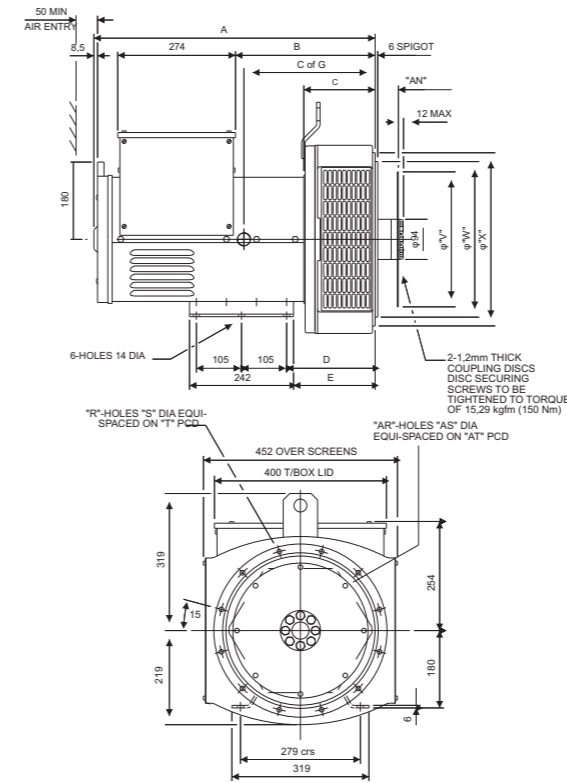




## YDSF.184H/J series Rating Book

YDSF184 3-Phase Industrial Generator																			
		3-Phase 50Hz 1500RPM								3-Phase 60Hz 1800RPM									
Voltage		Class H Temperature Rise(125℃)				Class F Temperature Rise(105℃)				Class H Temperature Rise(125℃)				Class F Temperature Rise(105℃)					
Series Star		380	400	415	440	380	400	415	440	416	440	460	480	600	416	440	460	480	600
Parallel Star		190	200	208	220	190	200	208	220	208	220	230	240	300	208	220	230	240	300
Series Delta		220	230	240	254	220	230	240	254	240	254	266	277	346	240	254	266	277	346
YDSF.1184H	Rated Volume(KVA)	37.5	37.5	37.5	37.5	35.0	35.0	35.0	35.0	44.3	46.9	46.9	46.9	46.9	41.4	43.8	43.8	43.8	43.8
	Rated Power(KW)	30.0	30.0	30.0	30.0	28.0	28.0	28.0	28.0	35.4	37.5	37.5	37.5	37.5	33.1	35.0	35.0	35.0	35.0
	Efficiency(%)	86.2	86.2	86.2	86.2	86.9	86.9	86.9	86.9	86.2	86.3	86.7	87.0	87.2	87.1	87.3	87.3	87.4	87.3
YDSF.1184J	Rated Volume(KVA)	40.0	40.0	40.0	40.0	37.3	37.3	37.3	37.3	47.3	50.0	50.0	50.0	50.0	44.2	46.7	46.7	46.7	46.7
	RATED Power(KW)	32.0	32.0	32.0	32.0	29.8	29.8	29.8	29.8	37.8	40.0	40.0	40.0	40.0	35.3	35.3	35.3	35.3	35.3
	Efficiency(%)	87.6	87.1	87.1	87.1	86.5	86.5	86.5	86.5	87.3	87.2	87.2	87.2	87.2	87.1	87.5	87.5	87.5	87.5

Note: The alternator have been designed for use in a maximum ambient temperature of 40°C and altitude less than 1000m above sea level. Marine rating is based on the ambient temperature 45°C, continuous operation. So alternator be design to 4-pole. All the voltage from above table are available from the wide range winding, That is through reconnectable 12 lead(3-phase) and 4 lead(single-phase) obtained. Other voltage alternator manufactured according to customer needs.



### YDSF184H-J SINGLE-BEARING

ADAPTOR DIMENSIONS										
SAE	A	B	R	S	T	W	X	C	D	E
1	668.8	339.3	12	12.7	530.2	511.1	617	180.3	220.3	204.3
2	654.5	325	12	11	466.7	447.6	489	166	206	190
3	654.5	325	12	11	428	409.5	451	166	206	190
4	654.5	325	12	11	381	361.9	452	166	206	190

COUPLING DISC					
SAE	"AN"	"AR"	"AS"	"AT"	"V"
8	61.90	6	11	244.4	263.4
10	53.98	8	11	295.3	314.2
11.5	39.68	8	11	333.3	352.3
14	25.40	8	13.5	438.2	466.6

SHIPPING SIZE			
MODEL	N.W	G.W	DIMENSION
YDSF.1184H1	216	226	740*550*590
YDSF.1184J1	226	236	740*550*590

### YDSF184H-J DOUBLE-BEARING

ADAPTOR DIMENSIONS						
SAE	"R"	"S"	"T"	"W"	"X"	"Y"
1	12	12.7	530.2	500	511.17	553
2	12	11	466.7	432	447.6	495
3	12	11	428.6	396	409.5	451
4	12	11	381.0	352	361.9	403
5	8	11	333.3	301	314.3	356

SHIPPING SIZE			
MODEL	N.W	G.W	DIMENSION
YDSF.1184H2	220	230	800*550*590
YDSF.1184J2	230	240	800*550*590