



YDSF.I5 series Brushless Alternator



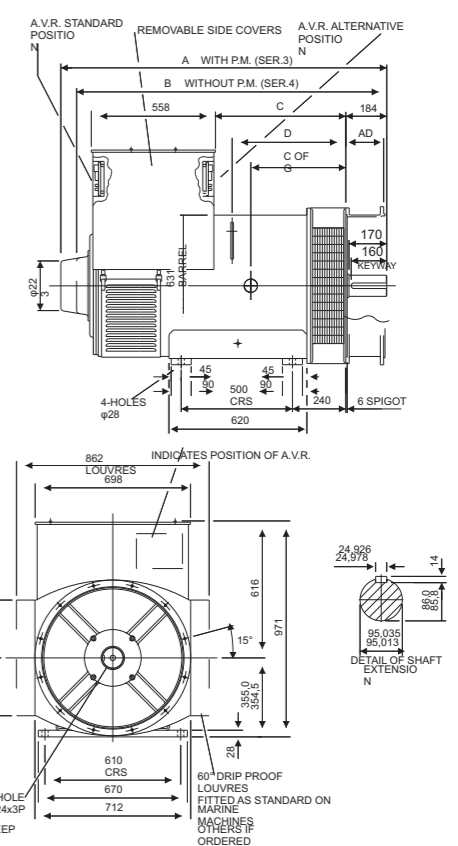
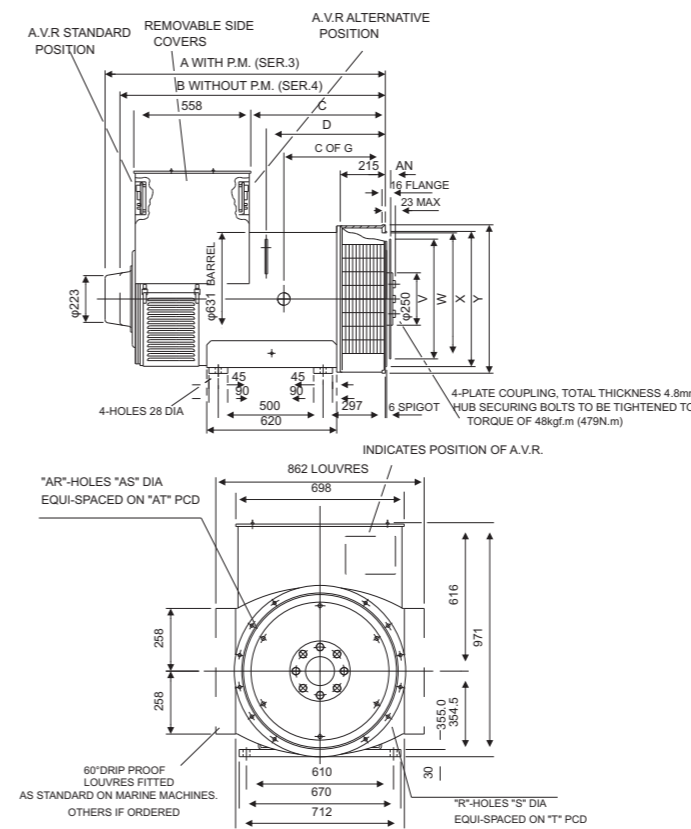
YDSF.I5 series Rating Book

YDSF5 Industrial Generator

		50 HZ 1500RPM				60 HZ 1800RPM				
Voltage		class H(125K)				class H(115K)				
	Series Star	380	400	415	440	416	440	450	460	480
	Parallel Star	190	200	208	220	208	220	225	230	240
	Series Delta	220	230	240	254	240	254	260	266	277
YDSF.I5C	Rated Volume(KVA)	455	500	455	455	525	550	550	550	594
	Rated Power(KW)	364	400	364	364	420	440	440	440	475
	efficiency(%)	94.0	93.8	94.4	94.4	94.0	94.1	94.1	94.1	94.2
YDSF.I5D	Rated Volume(KVA)	500	550	500	500	575	594	610	625	644
	Rated Power(KW)	400	440	400	400	460	475	488	500	515
	efficiency(%)	94.1	94.3	94.6	94.8	94.0	94.3	94.4	94.4	94.6
YDSF.I5E	Rated Volume(KVA)	600	610	600	600	681	713	722	731	750
	Rated Power(KW)	480	488	480	480	545	570	578	585	600
	efficiency(%)	94.5	94.9	94.9	95.1	94.4	94.6	94.7	94.8	94.9
YDSF.I5FS	Rated Volume(KVA)	625	625	625	613	700	725	738	750	775
	Rated Power(KW)	500	500	500	490	560	580	590	600	620
	efficiency(%)	94.5	94.8	94.9	95.1	94.5	94.7	94.8	94.8	95.0
YDSF.I5F	Rated Volume(KVA)	670	670	670	670	738	775	788	800	825
	Rated Power(KW)	536	536	536	520	590	620	630	640	660
	efficiency(%)	94.6	94.9	95.0	95.3	94.6	94.8	94.9	94.9	95.1

The alternator have been designed for use in a maximum ambient temperature of 40°C and altitude less than 1000m above sea level. Marine rating is based on the ambient temperature 45°C, continuous operation. So alternator be design to 4-pole. All the voltage from above table are available from the wide range winding, That is through reconnectable 12 lead(3-phase) and 4 lead(single-phase) obtained. Other voltage alternator manufactured according to customer needs.

YDSF.I5 series External Dimension



YDSF5C-F SINGLE-BEARING

DIMENSIONS					
FRAME	C OF G	A	B	C	D
YDSF.I5C	555	1337	1266	642	568
YDSF.I5D	575	1337	1266	642	568
YDSF.I5E	595	1337	1266	642	568
YDSF.I5F	620	1412	1341	717	643

FLANGE ADAPTOR						
SAE No.	R	S	T	W	X	Y
00	12	14	851.0	772	787.3	882
0	12	14	679.5	632	647.6	711
0.5	12	14	619.1	568	584.1	648
1	12	12.7	530.2	496	511.1	553

DISC COUPLING					
SAE No.	AN	AR	AS	AT	V
14	25.40	8	13.5	438.1	466.6
18	15.87	6	16.7	543.0	571.4
21	0	12	16.7	641.3	673.0

SHIPPING SIZE			
MODEL	N.W	G.W	DIMENSION
YDSF.I5C1	1250	1350	1460*840*1000
YDSF.I5D1	1358	1450	1460*840*1000
YDSF.I5E1	1498	1598	1460*840*1000
YDSF.I5FS1	1633	1733	1540*840*1000
YDSF.I5F1	1653	1753	1540*840*1000

YDSF5C-F DOUBLE-BEARING

DIMENSIONS					
FRAME	A	B	C	E	C OF G
YDSF.I5C	1464	1393	585	511	498
YDSF.I5D	1464	1393	585	511	518
YDSF.I5E	1464	1393	585	511	538
YDSF.I5F	1539	1468	660	586	565

ADAPTOR	AD
SAE00	170
SAE0	170
SAE0.5	150
SAE1	170

SHIPPING SIZE			
MODEL	N.W	G.W	DIMENSION
YDSF.I5C2	1250	1350	1540*840*1000
YDSF.I5D2	1358	1450	1540*840*1000
YDSF.I5E2	1498	1598	1540*840*1000
YDSF.I5FS2	1633	1733	1620*840*1000
YDSF.I5F2	1653	1753	1620*840*1000