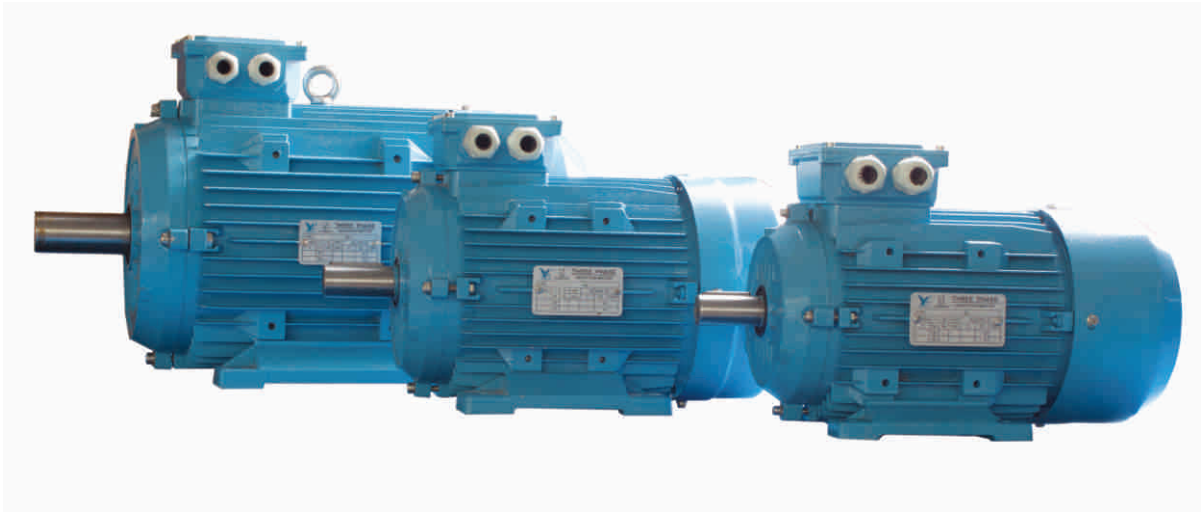




MS系列三相铝壳异步电动机



MS电机（中心高56-132mm,0.06-7.5KW）是完全封闭的风扇冷却，三相，鼠笼式感应电动机。MS系列三相异步电动机的基于Y电系列机和通用低压三相感应的基本系列电机。与Y系列相比，MS系列电机具有高效能和大马力起动转矩，他们如突出的特点：保护程度IP55，F级绝缘，低噪声（测试和负载），更好的结构和新的艺术轮廓。它的冷却方式为IC411，它的额定输出功率和安装尺寸完全符合标准IEC和DIN 42673。（同一系列Y。）

MS系列目的电机适合驱动不同的机器或各种无特殊要求的设备，MS运行于380V，50HZ，3KW以内Y型接法，三角型接法为4KW及以上。工作方式是连续方式（S1）

The series MS motors (center height 56-132mm,0.06-7.5kw) are totally enclosed fan cooled, three phase, squirrel cage induction motors. MS series three phase induction motors are newly designed based on series Y motor and general purpose low voltage three phase induction motors of basic series. As compared with series Y, the series MS motors feature are high efficiency and starting torque, and they are also characterixad by such outstanding features as:protection degree in IP55,insulation class in F(test in class B)low noise(test and load),better structure and new artistic outline. Its cooling method is IC411,The rated output and the mounting dimensions are fully conformed to the standard IEC and din 42673(the same as series Y.)

MS series are generally purpose motors suitable for driving various kinds of machines or equipments without special requirements, MS serie are ride at 380V,50Hz,Y connection for motors up to3KW, iconnestoion for 4KW and above. The duty is continuous way (S1)



技术数据 TECHNICAL DATA

电机规格 Model Type	功率 Rated Output Power KW	380V A	电流 Current 400V A	415V A	额定转速 Rated Speed min	功率因数 Full-load Power factor cos φ	效率 Full-load Eff n %	堵转电流 Lockd Rotor Current IS/IN	堵转转矩 Locked Rotor Current Ms/Mn	最大转矩 Break Down Torque Mk/Mn	额定转矩 Rated torque N-m	净重 Net Weight Kg
2-POLE/3000RPM												
MS5612	0.09	0.39	0.37	0.36	2710	0.70	50.0	4.0	1.8	2.0	0.32	3.2
MS5622	0.12	0.47	0.45	0.43	2710	0.70	55.0	4.0	1.8	2.0	0.42	3.4
MS6312	0.18	0.58	0.55	0.53	2720	0.73	65.0	5.5	2.2	2.2	0.63	3.9
MS6322	0.25	0.76	0.72	0.69	2720	0.76	66.0	5.5	2.2	2.2	0.88	4.4
MS6332	0.37	0.99	0.94	0.91	2720	0.81	70.0	6.1	2.2	2.2	1.30	4.7
MS7112	0.37	0.99	0.94	0.91	2760	0.81	70.0	6.1	2.2	2.2	1.28	6.2
MS7122	0.55	1.40	1.33	1.28	2820	0.82	73.0	6.1	2.2	2.3	1.86	6.3
MS7132	0.75	1.88	1.78	1.72	2820	0.82	74.0	6.1	2.2	2.3	2.54	6.5
MS8012	0.75	1.83	1.74	1.68	2845	0.83	75.0	6.1	2.4	2.5	2.52	8.3
MS8022	1.10	2.58	2.54	2.37	2840	0.84	77.0	7.0	2.5	2.5	3.70	9.0
MS8032	1.50	3.48	3.30	3.18	2840	0.84	78.0	7.0	2.5	2.5	5.04	10.0
MS90S2	1.50	3.43	3.26	3.14	2840	0.84	79.0	7.0	2.7	2.8	5.04	12.5
MS90L2	2.20	4.85	4.61	4.45	2840	0.85	81.0	7.0	2.5	2.8	7.40	14.0
MS90LB2	3.00	6.46	6.14	5.92	2840	0.86	82.0	7.0	2.5	2.8	10.09	16.0
MS100L2	3.00	6.31	6.00	5.78	2870	0.87	83.0	7.5	2.2	2.5	9.98	20.5
MS100LC2	4.00	8.12	7.72	7.44	2880	0.88	85.0	7.5	2.3	2.5	13.26	28.0
MS112M2	4.00	8.12	10.5	10.10	2880	0.88	85.0	7.5	2.3	2.3	13.26	26.0
MS112MC2	5.50	11.00	10.5	10.10	2900	0.88	86.0	7.5	2.3	2.3	18.17	33.0
MS132SA2	5.50	11.00	10.5	10.10	2910	0.88	86.0	7.5	2.2	2.5	18.11	40.0
MS132SB2	7.50	14.90	14.1	13.36	2905	0.88	87.0	7.5	2.2	2.4	24.66	44.0
MS132MC2	1.10	21.30	20.3	19.50	2910	0.89	88.0	7.5	2.2	2.4	36.10	65.0
2-POLE/3000RPM												
MS5614	0.06	0.28	0.27	0.26	1330	0.65	50.0	4.0	1.4	2.0	0.43	3.20
MS5624	0.09	0.37	0.36	0.34	1330	0.73	55.0	4.0	1.8	2.0	0.65	3.40
MS6314	0.12	0.44	0.42	0.41	1340	0.72	57.0	4.4	1.8	2.0	0.86	4.00
MS6324	0.18	0.65	0.61	0.59	1340	0.73	58.0	4.4	1.8	2.0	1.28	4.50
MS6334	0.22	0.79	0.75	0.72	1340	0.73	58.0	4.4	1.8	2.0	1.57	4.90
MS7114	0.25	0.79	0.75	0.72	1345	0.74	56.0	5.2	2.1	2.2	1.78	6.10
MS7124	0.37	1.12	1.06	1.02	1340	0.75	67.0	5.2	2.1	2.2	2.64	6.70
MS7134	0.55	1.57	1.49	1.44	1390	0.75	71.0	5.3	2.2	2.5	3.78	8.20
MS8014	0.55	1.57	1.49	1.44	1390	0.75	71.0	5.3	2.2	2.5	3.78	8.90
MS8024	0.75	2.05	2.95	1.88	1380	0.76	73.0	5.3	2.3	2.5	5.19	9.60
MS8034	1.10	2.89	2.74	2.64	1390	0.76	76.2	6.0	2.3	2.5	7.56	12.2
MS90S4	1.10	2.85	2.71	2.61	1390	0.77	76.2	6.0	2.3	2.5	7.56	12.5
MS90L4	1.50	3.72	3.54	3.41	1390	0.78	78.5	6.0	2.3	2.5	10.31	15.0
MS90LB4	2.20	5.03	4.78	4.61	1415	0.82	81.0	7.0	2.3	2.5	14.85	19.5
MS100L4	2.20	5.03	4.78	4.61	1415	0.82	81.0	7.0	2.3	2.5	14.85	19.2
MS100LB4	3.00	6.73	6.39	6.16	1415	0.82	82.6	7.0	2.3	2.5	20.25	23.0
MS100LC4	4.00	8.70	8.26	7.96	1430	0.83	84.2	7.0	2.3	2.5	26.71	25.9
MS112M4	4.00	8.70	8.26	7.96	1430	0.83	84.2	7.0	2.3	2.5	26.71	29.0
MS112MC4	5.50	11.7	11.2	10.8	1445	0.83	85.7	7.0	2.3	2.5	36.35	37.0
MS132S4	5.50	11.7	11.2	10.8	1445	0.83	85.7	7.0	2.3	2.5	36.35	43.5
MS132M4	7.50	15.6	14.8	14.3	1445	0.84	87.0	7.0	2.3	2.5	49.57	53.5
MS132M4	11.0	22.5	21.4	20.6	1460	0.84	88.4	7.0	2.3	2.3	71.95	75.6



MS SERIES (EFF2)THREEPHASE TEFCALUMINUM INDUCTION MOTOR

技术数据 TECHNICAL DATA

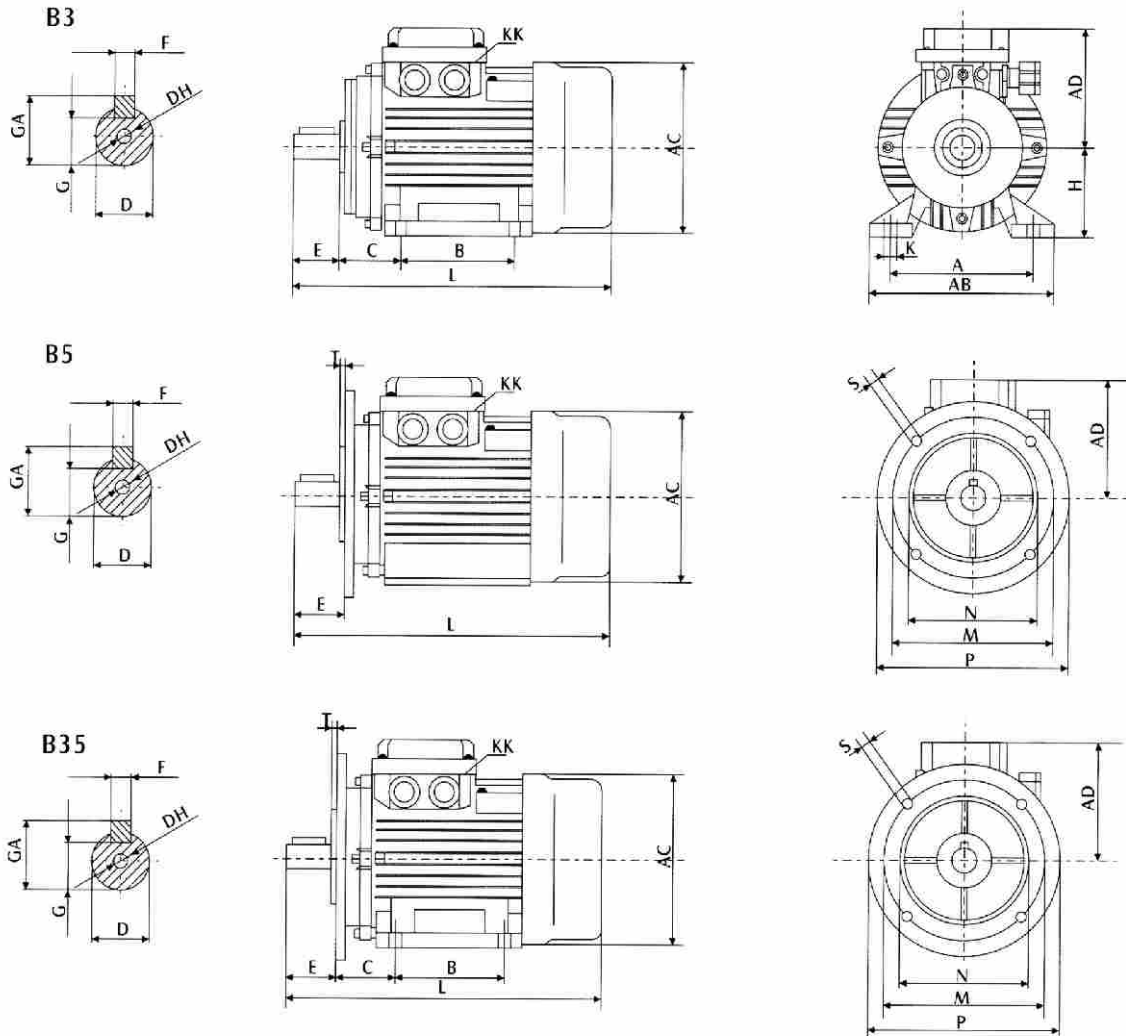
电机规格 Model Type	功率 Rated Output Power KW	电 流			额定转速 Rated Speed min	功率因数 Full-load Power factor $\cos \Phi$	效率 Full-load Eff n %	堵转电流 额定电流 Lockd Rotor Current IS/IN	堵转转矩 额定转矩 Locked Rotor Current Ms/Mn	最大转矩 额定转矩 Break Down Torque Mk/Mn	额定转矩 Rated torque N-m	净重 Net Weight Kg
		380V A	400V A	415V A								
6-POLE/1000RPM												
MS6316	0.09	0.48	0.46	0.44	860	0.59	48.0	4.0	1.9	2.0	1.00	4.50
MS6326	0.12	0.60	0.57	0.55	860	0.59	51.5	4.0	1.9	2.0	1.33	5.60
MS7116	0.18	0.74	0.55	0.68	860	0.66	56.0	4.0	1.9	2.0	2.00	6.40
MS7126	0.25	0.95	0.90	0.87	860	0.58	59.0	4.0	1.9	2.0	2.78	6.50
MS8016	0.37	1.30	1.23	1.19	885	0.70	62.0	4.7	2.0	2.1	3.99	8.50
MS8026	0.55	1.79	1.70	1.63	885	0.72	65.0	4.7	2.0	2.1	5.94	9.20
MS90S6	0.75	2.29	2.18	2.10	915	0.72	69.0	5.5	2.0	2.2	7.83	12.0
MS90L6	1.10	3.18	3.02	2.91	915	0.73	72.0	5.5	2.0	2.2	11.48	14.0
MS100L6	1.50	4.00	3.80	3.66	920	0.75	76.0	5.5	2.1	2.2	15.57	19.5
MS112M6	2.20	5.57	5.29	5.10	935	0.76	79.0	6.5	2.2	2.2	22.47	28.0
MS132S6	3.00	7.40	7.03	6.78	960	0.76	81.0	6.5	2.2	2.8	29.84	38.0
MS132MA6	4.00	9.57	9.26	8.93	960	0.76	82.0	6.5	2.4	2.9	39.79	45.0
MS132MB6	5.50	12.9	12.3	11.8	960	0.77	84.0	6.5	2.4	2.8	54.71	54.0
8-POLE/750RPM												
MS7118	0.09	0.72	0.68	0.66	635	0.49	39	2.9	1.8	2.0	1.35	6.50
MS7128	0.12	0.78	0.74	0.71	635	0.49	48	2.9	1.8	2.0	1.80	7.50
MS8018	0.18	0.88	0.84	0.80	645	0.61	51	2.9	1.8	2.0	2.67	8.30
MS8028	0.25	1.15	1.10	1.06	645	0.61	54	2.9	1.8	2.0	3.70	9.00
MS90A8	0.37	1.56	1.48	1.43	670	0.61	59	3.2	1.9	2.3	5.27	12.0
MS90L8	0.55	2.21	2.10	2.02	670	0.61	62	3.2	2.0	2.3	7.84	15.0
MS100L1-8	0.75	2.43	2.31	2.22	685	0.67	70	4.7	1.8	2.2	10.46	19.0
MS100L2-8	1.10	3.36	3.20	3.08	690	0.69	72	5.0	1.8	2.2	15.22	21.1
MS112M8	1.50	4.40	4.18	4.03	730	0.69	75	5.0	2.0	2.5	19.62	29.0
MS132S8	2.20	6.04	5.73	5.53	710	0.71	78	6.0	1.8	2.5	29.59	39.0
MS132M8	3.00	7.79	7.51	7.24	710	0.73	79	6.0	1.8	2.4	40.35	45.0

安装方式 MOUNTING ARRANGENTS

结构型式 Types of Mounting	IEC34-7(1992)		可提供的 电机同座号 Available Standard Types	结构型式 Types of Mounting	IEC34-7(1992)		可提供的 电机同座号 Available Standard Types
	代码 I Code I	代码 II Code II			代码 I Code I	代码 II Code II	
	IMB3	IM1001	MS56-132		IMV1	IM3011	MS56-132
	IMB5	IM3001	MS56-132		IMV3	IM3031	MS56-132
	IMB6		MS56-132		IMV5	IM1011	MS56-132
	IMB7		MS56-132		IMV6	IM1031	MS56-132
	IMB8		MS56-132		IMV15	IM2011	MS56-132
	IMB14	IM3601	MS56-132		IMV5	IM2111	MS56-132
	IMB34	IM2101	MS56-132		IMV18	IM3611	MS56-132
	IMB35	IM2001	MS56-132		IMV36	IM2031	MS56-132
						IM2131	MS56-132



外形安装尺寸图 MOUNTING AND OVERALL DIMENSIONS



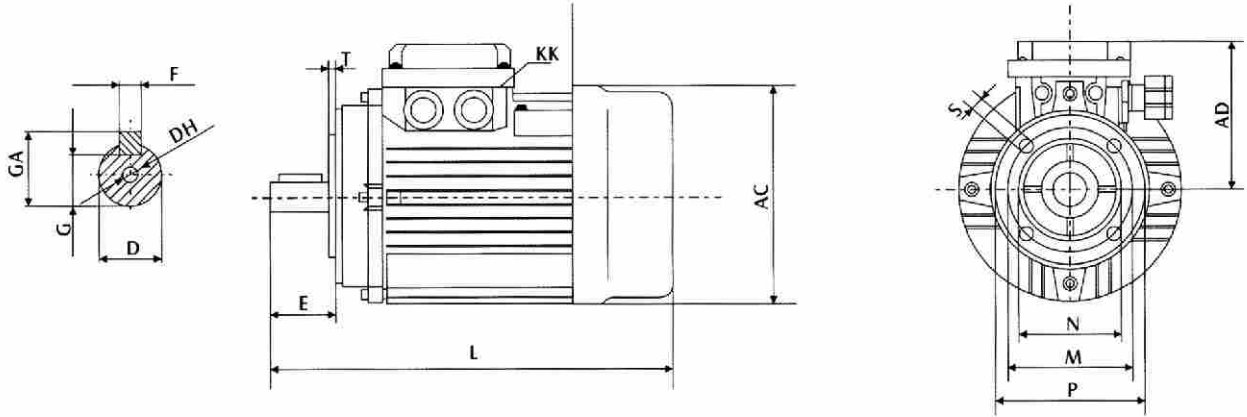
机座号 Frame size	DIMENSION (mm)																					
	A	AB	AC	AD	B	C	D	DH	E	F	G	H	R	K	KK	L	M	N	P	S	T	GA
MS56	90	110	110	96	71	36	9	M4×12	20	3	7.20	56	0 ± 1.5	7	2-M18×1.5	183	100	80	120	7	3.0	10.2
MS63	100	122	122	96	80	40	11	M4×12	23	4	8.50	63	0 ± 1.5	7	2-M18×1.5	218	115	95	140	9	3.0	12.5
MS71	112	136	138	109	90	45	14	M5×12	30	5	11.0	71	0 ± 1.5	7	2-M18×1.5	351	130	110	160	9	3.5	16.0
MS80	125	154	157	112	100	50	19	M6×16	40	6	15.5	80	0 ± 1.5	10	2-M20×1.5	286	165	130	200	12	3.5	21.5
MS90S	140	174	175	120	100	56	24	M8×19	50	8	20.0	90	0 ± 1.5	10	2-M20×1.5	335	165	130	200	12	3.5	27.0
MS90L	140	174	175	120	125	56	24	M8×19	50	8	20.0	90	0 ± 1.5	10	2-M20×1.5	350	165	130	200	12	3.5	27.0
MS100L	160	194	196	139	140	63	28	M10×22	60	8	24.0	100	0 ± 2.0	12	2-M20×1.5	377	215	180	250	15	4.0	31.0
MS112M	190	224	220	156	140	70	28	M10×22	60	8	24.0	112	0 ± 2.0	12	2-M20×1.5	395	215	180	250	15	4.0	31.0
MS132S	216	256	260	185	140	89	38	M12×28	80	10	33.0	132	0 ± 2.0	12	2-M25×1.5	472	265	230	300	15	4.0	41.0
MS132M	216	256	260	185	178	89	38	M12×28	80	10	33.0	132	0 ± 2.0	12	2-M25×1.5	510	265	230	300	15	4.0	41.0

注:R=0 为凸缘配合到轴伸肩的距离
R=0 distance from flange to shaft shoulder

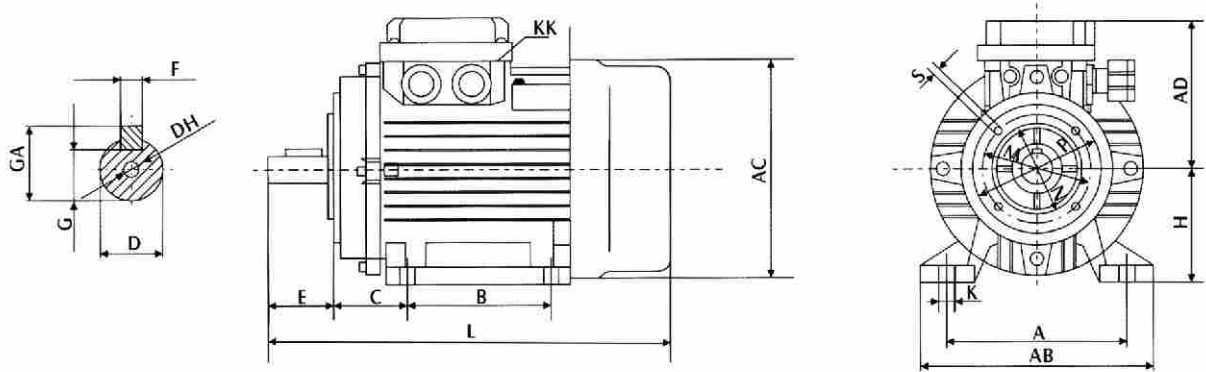


外形安装尺寸图 MOUNTING AND OVERALL DIMENSIONS

B14



B34



机座号 Frame size	DIMENSION (mm)																					
	A	AB	AC	AD	B	C	D	DH	E	F	G	H	R	K	KK	L	M	N	P	S	T	GA
MS56	90	110	110	96	71	36	9	M4×12	20	3	7.20	56	0 ± 1.5	7	2-M18×1.5	183	100	80	120	7	3.0	10.2
MS63	100	122	122	96	80	40	11	M4×12	23	4	8.50	63	0 ± 1.5	7	2-M18×1.5	218	115	95	140	9	3.0	12.5
MS71	112	136	138	109	90	45	14	M5×12	30	5	11.0	71	0 ± 1.5	7	2-M18×1.5	351	130	110	160	9	3.5	16.0
MS80	125	154	157	112	100	50	19	M6×16	40	6	15.5	80	0 ± 1.5	10	2-M20×1.5	286	165	130	200	12	3.5	21.5
MS90S	140	174	175	120	100	56	24	M8×19	50	8	20.0	90	0 ± 1.5	10	2-M20×1.5	335	165	130	200	12	3.5	27.0
MS90L	140	174	175	120	125	56	24	M8×19	50	8	20.0	90	0 ± 1.5	10	2-M20×1.5	350	165	130	200	12	3.5	27.0
MS100L	160	194	196	139	140	63	28	M10×22	60	8	24.0	100	0 ± 2.0	12	2-M20×1.5	377	215	180	250	15	4.0	31.0
MS112M	190	224	220	156	140	70	28	M10×22	60	8	24.0	112	0 ± 2.0	12	2-M20×1.5	395	215	180	250	15	4.0	31.0
MS132S	216	256	260	185	140	89	38	M12×28	80	10	33.0	132	0 ± 2.0	12	2-M25×1.5	472	265	230	300	15	4.0	41.0
MS132M	216	256	260	185	178	89	38	M12×28	80	10	33.0	132	0 ± 2.0	12	2-M25×1.5	510	265	230	300	15	4.0	41.0

注:R=0 为凸缘配合到轴伸肩的距离

R=0 distance from flange to shaft shoulder