



# Y2系列三相异步电动机



Y2 系列三相异步电动机是采用新技术而开发出的新系列，是Y系列电动机的升级换代产品。Y2 系列电动机系全封闭、外扇冷式、鼠笼型结构。具有设计新颖、造型美观、噪声低、效率转矩高、起动性能好、结构紧凑、使用维修方便等特点。整机采用F级绝缘，且按国际惯例的绝缘结构评定方法设计，从而大大提高了整机安全可靠。达到国外同类产品九十年代初期先进水平。Y2系列电动机可广泛应用于机床、风机、水泵、压缩机和交通运输、农业、食品加工等各类机械传动设备。

Y2 series three-phase induction motors, developed with new techniques, are renewal and upgrading products of Y series. Y2 series motors are defined as totally enclosed, fan cooled, squirrel cage type and noted for their novel design, beautiful modelling, compact structure, low noise, high efficiency, large torque, excellent starting performance, easy service, etc. The motors are adopted with F class insulation and designed with assessing method for insulation system according to international practice, it enhances greatly motor's safety and reliability. Therefore, these motors have reached an international advanced level of the same kind products at the initial days of the 90s. Y2 series motors can be widely used as driving equipments of various machineries, same as, machine tools, blowers, pumps, compressors, transporters, agricultural and food processing.

## 使用条件

环境温度：-15℃

额定频率：50Hz、60Hz

防护等级：IP54、IP55

绝缘等级：F级

冷却方式：IC0141

工作方式：S1

接法：3kW及以下Y接法，  
4kW及以上为△接法。

## OPERATING CONDITIONS

Ambient temperature: -15℃

Altitude: not exceed 1000m

Rated voltage: 380V or any voltage between 220V-760V

Rated frequency :50Hz、60Hz

Protection class :IP54、IP55

Insulation class:F

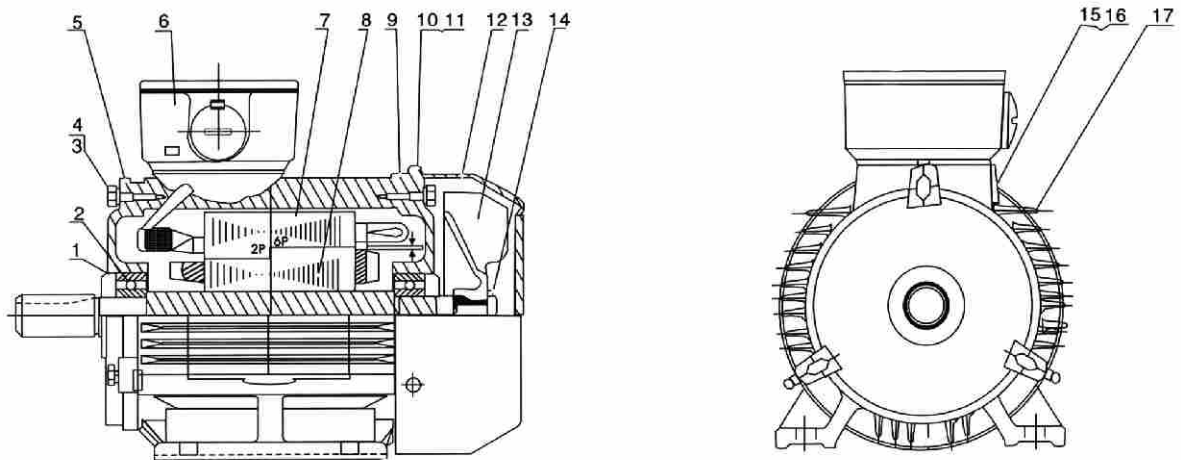
Cooling method: IC0141

Duty:S1(continuous)

Connection: Star-connection for up to 3kW, delta-connection for 4kW and above.

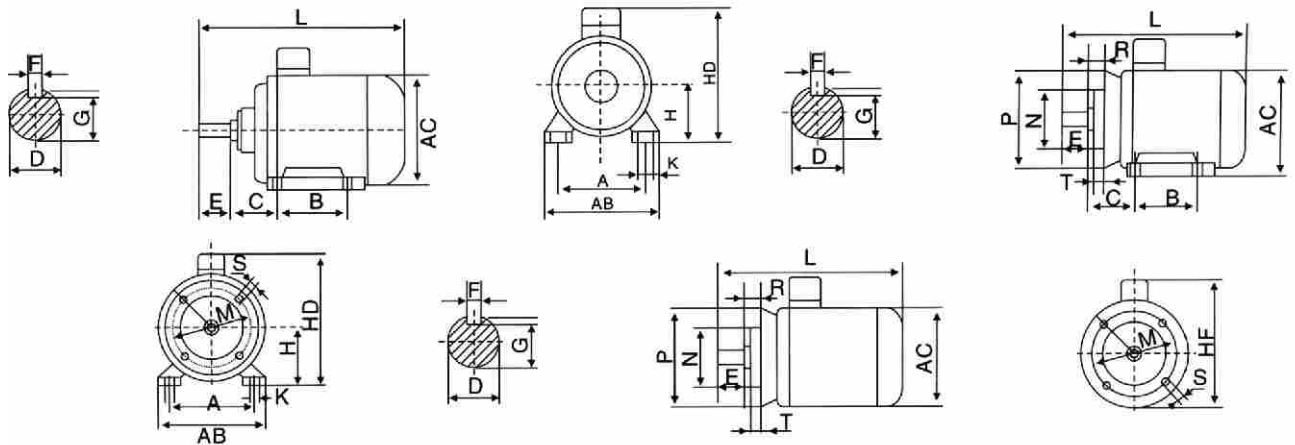


# Y2 SERIES THREE-PHASE ASYNCHRONOUS INDUCTION MOTOR



## 材料列表 MATERIAL LIST

项目 ITEM	描述 DESCRIPTION	项目 ITEM	描述 DESCRIPTION	项目 ITEM	描述 DESCRIPTION
1	波型垫圈 Wave-form washer	7	定子 stator pack winding	13	风扇 Fan
2	轴承 Bearing	8	转子 Rotor	14	挡圈 circlip
3	螺栓 Bolt	9	后端盖 NDE shcrew	15	铆钉 Rivet
4	弹簧垫圈 Spring washer	10	螺钉 Screw	16	名牌 Nameplate
5	前端盖 DE shield	11	垫圈 Washer	17	机座 Frame
6	接线盒 Terminal Box	12	风罩 Fan cowl		



## 外形及安装尺寸 OVERALL AND MOUNTING DIMENSIONS

机座号 Frame size	安装尺寸 Mounting dimensions (mm)														外形尺寸 Overall dimension						
	A	B	C	D	E	F	G	H	K	M	N	P	R	S	T	AB	AC	AD	HD	HF	L
63	100	80	40	11	23	4	8.5	63	7	115	95	140	0	10	3	135	130	70	180	130	225
71	112	90	45	14	30	5	11	71	7	130	110	160	0	10	3.5	150	145	80	195	145	250
80	125	100	50	19	40	6	15.5	80	10	165	130	200	0	12	3.5	165	175	145	214	185	295
90S	140	100	56	24	50	8	20	90	10	165	130	200	0	12	3.5	180	195	155	250	195	315
90L	140	125	56	24	50	8	20	90	10	165	130	200	0	12	3.5	180	195	155	250	195	340
100L	160	140	63	28	60	8	24	100	12	215	180	250	0	15	4	205	215	180	270	245	385
112M	190	140	70	28	60	8	24	112	12	215	180	250	0	15	4	230	240	190	300	265	400
132S	216	140	89	38	80	10	33	132	12	265	230	300	0	15	4	270	275	210	345	315	470
132M	216	178	89	38	80	10	33	132	12	265	230	300	0	15	4	270	275	210	345	315	510
160M	254	210	108	42	110	12	37	160	15	300	250	350	0	19	5	320	330	255	420	385	615
160L	254	254	108	42	110	12	37	160	15	300	250	350	0	19	5	320	330	255	420	385	670
180M	279	241	121	48	110	14	42.5	180	15	300	250	350	0	19	5	355	380	280	455	430	700
180L	279	279	121	48	110	14	42.5	180	15	300	250	350	0	19	5	355	380	280	455	430	740
200L	318	305	133	55	110	16	49	200	19	350	300	400	0	19	5	375	420	305	545	480	770



## 技术数据 TECHNICAL DATA

型号 Model	功率 Output		满载时 Full load				75%负载时 75% load		50%负载时 50% load		堵转转矩 额定转矩 Tstar/UTn	堵转电流 额定电流 Ist/In	最大转矩 额定转矩 Tmax/Tn	
	kW	HP	电流 Current (A)	转速 Speed (r/min)	效率 Eff (%)	功率因数 Power Factor	效率 Eff (%)	功率因数 Power Factor	效率 Eff (%)	功率因数 Power Factor				
Y2-631	2	0.18	0.25	0.53	2720	65.0	0.80	63.1	0.75	60.0	0.69	2.2	5.5	2.2
Y2-632	2	0.25	0.34	0.69	2720	68.0	0.81	65.1	0.76	62.0	0.70	2.2	5.5	2.2
Y2-711	2	0.37	0.50	0.99	2740	70.0	0.81	39.0	0.76	66.0	0.71	2.2	6.1	2.2
Y2-712	2	0.55	0.75	1.40	2740	73.0	0.82	71.2	0.70	70.0	0.72	2.2	6.1	2.3
Y2-801	2	0.75	1.00	0.83	2830	75.0	0.83	73.0	0.77	71.0	0.74	2.2	6.1	2.3
Y2-802	2	1.10	1.50	2.58	2830	77.0	0.84	75.1	0.78	73.0	0.73	2.2	7.5	2.3
Y2-90S	2	1.50	2.00	3.43	2840	79.0	0.84	77.0	0.79	74.9	0.76	2.2	7.5	2.3
Y2-90L	2	2.20	3.00	4.85	2840	81.0	0.85	80.0	0.80	79.9	0.76	2.2	7.5	2.3
Y2-100L	2	3.00	4.00	6.31	2870	83.0	0.87	82.0	0.83	81.1	0.77	2.2	7.5	2.3
Y2-112M	2	4.00	5.50	8.10	2890	85.0	0.88	83.9	0.83	82.0	0.80	2.2	7.5	2.3
Y2-132S1	2	5.50	7.50	11.0	2900	86.0	0.88	84.2	0.84	83.8	0.80	2.2	7.5	2.3
Y2-132S2	2	7.50	10.0	14.9	2900	87.0	0.88	85.8	0.84	84.9	0.78	2.2	7.5	2.3
Y2-160M1	2	11.0	15.0	21.3	2930	88.0	0.89	86.6	0.84	85.1	0.79	2.2	7.5	2.3
Y2-160M2	2	15.0	20.0	28.8	2930	89.0	0.89	87.9	0.86	86.4	0.89	2.2	7.5	2.3
Y2-160L	2	18.5	25.0	34.7	2930	90.0	0.90	89.8	0.86	86.8	0.80	2.2	7.5	2.3
Y2-180M	2	22.0	30.0	41.0	2940	90.0	0.90	88.9	0.85	86.8	0.82	2.2	7.5	2.3
Y2-200L1	2	30.0	40.0	55.5	2950	91.2	0.90	89.4	0.86	88.5	0.81	2.0	7.5	2.3
Y2-200L2	2	37.0	50.0	0.42	2950	92.0	0.90	91.0	0.69	90.4	0.82	2.0	7.5	2.3
Y2-631	4	0.12	0.16	0.62	1310	57.0	0.72	56.1	0.70	51.9	0.55	2.1	5.2	2.2
Y2-632	4	0.18	0.25	0.79	1310	60.0	0.73	58.5	0.73	56.7	0.59	2.1	5.2	2.2
Y2-711	4	0.25	0.34	1.12	1330	65.0	0.74	62.4	0.74	59.3	0.59	2.1	5.2	2.2
Y2-712	4	0.37	0.50	1.57	1330	67.0	0.75	65.3	0.74	62.1	0.63	2.1	5.2	2.2
Y2-801	4	0.55	0.75	2.03	1390	71.0	0.75	69.2	0.75	68.6	0.64	2.4	5.2	2.3
Y2-802	4	0.75	1.00	2.89	1390	73.0	0.76	71.7	0.75	70.0	0.67	2.3	6.0	2.3
Y2-90S	4	1.10	1.50	3.70	1400	75.0	0.77	73.1	0.76	72.0	0.67	2.3	6.0	2.3
Y2-90L	4	1.50	2.00	5.16	1400	78.0	0.79	76.1	0.79	74.1	0.69	2.3	6.0	2.3
Y2-100L1	4	2.20	3.00	6.78	1430	80.0	0.81	78.0	0.78	75.5	0.69	2.3	7.0	2.3
Y2-100L2	4	3.00	4.00	8.80	1430	82.0	0.82	79.9	0.79	78.5	0.7	2.3	7.0	2.3
Y2-112M	4	4.00	5.50	11.7	1440	84.0	0.82	82.9	0.81	81.1	0.7	2.3	7.0	2.3
Y2-132S	4	5.50	7.50	15.6	1440	85.0	0.83	83.8	0.82	82.2	0.73	2.3	7.0	2.3
Y2-132M	4	7.50	10.0	22.3	1440	87.0	0.84	85.6	0.83	83.6	0.74	2.3	7.0	2.3
Y2-160M	4	11.0	15.0	30.1	1460	88.0	0.84	86.6	0.83	85.9	0.75	2.3	7.0	2.3
Y2-160L	4	15.0	20.0	36.5	1460	89.0	0.85	88.9	0.82	88.5	0.75	2.3	7.5	2.3
Y2-180M	4	18.5	25.0	4.32	1470	90.0	0.86	90.0	0.84	89.5	0.77	2.3	7.5	2.3
Y2-180L	4	22.0	30.0	57.6	1470	91.0	0.86	90.2	0.84	89.9	0.76	2.3	7.5	2.3
Y2-200L	4	30.0	40.0	0.74	1470	92.0	0.86	91.5	0.86	90.8	0.77	2.3	7.2	2.3
Y2-711	6	0.18	0.25	0.95	850	56.0	0.66	53.1	0.68	51.0	0.65	1.9	4.0	2.0
Y2-712	6	0.25	0.34	1.30	850	59.0	0.68	56.0	0.69	53.8	0.62	1.9	4.0	2.0
Y2-801	6	0.37	0.50	1.79	890	62.0	0.70	60.5	0.71	57.0	0.50	1.9	4.7	2.0
Y2-802	6	0.55	0.75	2.29	890	65.0	0.72	63.3	0.72	60.1	0.53	1.9	4.7	2.1
Y2-90S	6	0.75	1.00	3.18	910	69.0	0.72	67.3	0.72	66.3	0.54	2.0	5.5	2.1
Y2-90L	6	1.10	1.50	3.94	910	72.0	0.73	70.2	0.75	68.0	0.55	2.0	5.5	2.1
Y2-100L	6	1.50	2.00	5.60	940	76.0	0.75	74.0	0.77	71.0	0.54	2.0	5.5	2.1
Y2-112M	6	2.20	3.00	7.40	940	79.0	0.76	77.1	0.77	75.1	0.60	2.0	6.5	2.1
Y2-132S	6	3.00	4.00	9.80	960	81.0	0.76	78.9	0.76	76.1	0.60	2.1	6.5	2.1
Y2-132M1	6	4.00	5.50	12.9	960	82.0	0.76	80.0	0.77	77.5	0.60	2.1	6.5	2.1
Y2-132M2	6	5.50	7.50	17.0	960	84.0	0.77	82.1	0.77	80.1	0.60	2.1	6.5	2.1
Y2-160M	6	7.50	10.0	24.2	970	86.0	0.77	83.4	0.77	82.4	0.60	2.0	6.5	2.1
Y2-160L	6	11.0	15.0	31.6	970	87.5	0.78	86.6	0.78	84.8	0.61	2.0	6.5	2.1
Y2-180L	6	15.0	20.0	38.6	970	89.0	0.81	88.1	0.82	86.3	0.63	2.0	7.0	2.1
Y2-200L1	6	18.5	25.0	44.7	970	90.0	0.81	89.1	0.82	87.4	0.63	2.1	7.0	2.1
Y2-200L2	6	22.0	30.0	44.7	970	90.0	0.83	89.8	0.83	88.5	0.68	2.1	7.0	2.1