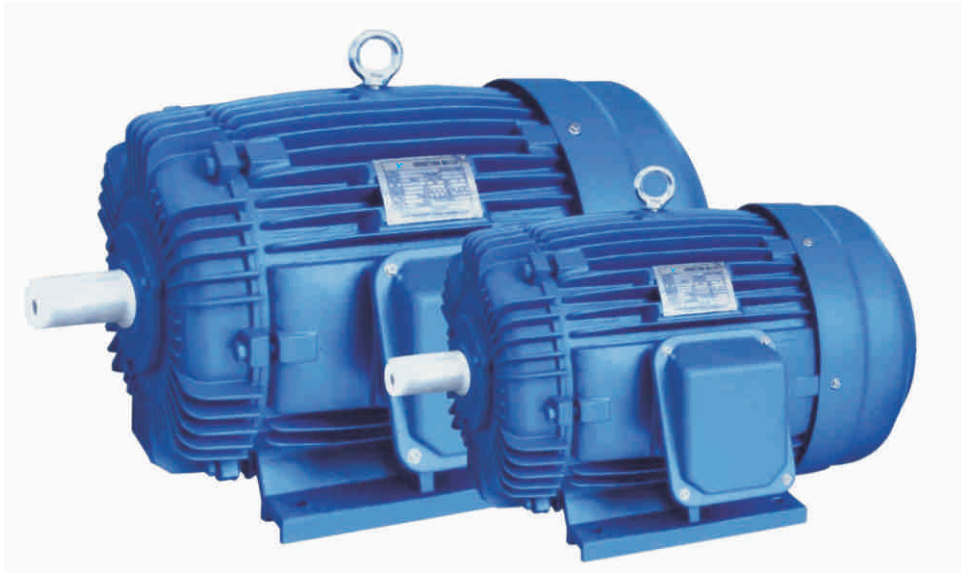


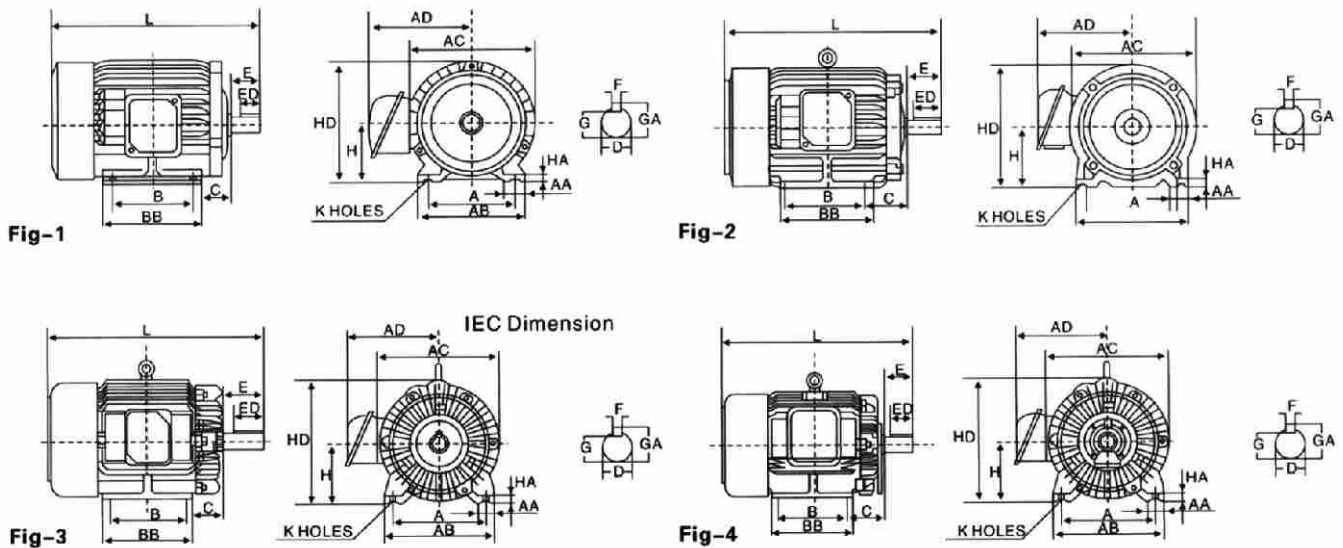


AEEF系列三相异步电动机



AEEF系列三相全封闭风冷鼠笼式电机，IP54，B级绝缘。（其它类型电压、频率及F级绝缘，均可按要求生产）。

AEEF series motor is three-phase ,totally enclosed and fan-cooled electric motor with squirrel cage, IP54 insulation, Class B (other voltages and frequency or insulation Class F are available if request.)





外形及安装尺寸 OVERALL AND MOUNTING DIMENSIONS

功率 Output (HP)			机座号 Frame No.	Fig No.	A	AA	AB	AC	AD	B	BB	C	D	E	ED	F	G	GA	H	HA	HD	K	L	
2P	4P	6P																						
1/4	1/4	-	60	1	100	28.0	120	144	134	80	100	40	11	23	10	4	8.5	12.5	63	8.00	135	7	209	
1/2	1/2	1/4	71		112	35.5	140	160	142	90	115	45	14	30	14	5	11.0	16.0	71	8.00	151	7	239	
1	1	1/2	80		125	35.5	155	175	163	100	130	50	19	40	25	6	15.5	21.5	80	9.00	168	10	272	
2	3	2	90L		140	35.5	170	194	173	125	150	56	24	50	32	8	20.0	27.0	90	10.0	187	10	322	
-	3	2	100L	2	160	45.0	195	210	187	140	175	63	28	60	40	8	24.0	31.0	100	12.5	243	12	363	
5	5	3	112M		190	45.0	224	230	205	140	175	70	28	60	40	8	24.0	31.0	112	14.0	265	12	382	
7 1/2	10	5	132S		216	45.0	250	266	223	140	175	89	38	80	56	10	33.0	41.0	132	16.0	310	12	446	
-	10	7 1/2	132M		216	45.0	250	266	223	178	212	89	38	80	56	10	33.0	41.0	132	16.0	310	12	484	
15	20	15	160M	3	254	50.0	300	324	265	210	250	108	42	110	80	12	37.0	45.0	160	18.0	377	15	604	
25	20	15	160L		254	50.0	300	324	265	254	300	108	42	110	80	12	37.0	45.0	160	18.0	377	15	648	
30	-	-	180M	4	279	75.0	355	360	301	241	297	121	48	110	80	14	42.5	51.5	180	20.0	421	15	687	
-	25	30	180M		279	75.0	355	360	301	241	297	121	48	110	80	14	42.5	51.5	180	20.0	421	15	687	
40	-	-	180L	4	279	75.0	355	360	301	279	335	121	55	110	80	16	49.0	59.0	180	20.0	421	15	725	
-	40	25	30		180L	279	75.0	355	360	301	279	335	121	55	110	80	16	49.0	59.0	180	20.0	421	15	725
50	60	-	200L		318	80.0	400	400	334	305	365	133	55	110	80	16	49.0	59.0	200	25.0	469	19	798	
-	50	60	40		50	200L	318	80.0	400	400	334	305	365	133	60	140	18	53.0	64.0	200	25.0	469	19	798
75	-	-	225S	4	356	90.0	450	458	382	286	375	149	55	110	80	16	49.0	59.0	225	30.0	524	19	806	
-	75	60	225S		356	90.0	450	458	382	286	375	149	65	140	110	18	58.0	69.0	225	30.0	524	19	806	

注: 1.轴的端径误差D:11-28:j6,38-48:k6,55-95:6,
2.轴的中心高度误差H:0 -0.5

NOTE: 1.Tolerance of shaft end diameterD:11-28:j6,38-48:k6,55-95:6,
2.Tolerance of shaft height H:0 -0.5

技术数据 TECHNICAL DATA

功率 Output		满载转速 RPM	机座号 Frame No.	满载转速 Full load				转矩 Locked Rotor		最大转矩 Break down Torque% FLT	转子惯量 Rotor GD2Kg-M2
kW	HP			转矩Torque Kg-M	效率 Eff %	功率因数 PF%	电流Current Amps	启动转矩 Torque%FLT	电流Current Amps		
1/4	0.185 (0.2)	2740	63	0.07	56.0	76.5	0.66	400	3.5	300	0.002
		1345	63	0.13	60.5	69.5	0.67	270	3.5	250	0.003
		910	71	0.20	60.0	60.0	0.79	200	3.5	250	0.006
1/2	0.37 0.4	2785	71	0.13	75.0	85.0	0.89	320	7.0	280	0.0025
		1370	71	0.26	65.5	70.0	1.24	200	7.0	230	0.005
		925	80	0.39	63.0	67.0	1.34	200	7.0	230	0.009
1	0.75	2800	80	0.26	76.5	87.0	1.70	220	11	280	0.005
		1400	80	0.52	72.0	74.0	2.13	230	11	280	0.009
		930	90L	0.78	71.0	70.0	2.28	190	11	230	0.018
2	1.5	2820	90L	0.51	80.0	88.0	3.22	250	23	280	0.011
		1400	90L	1.04	75.5	78.5	3.82	220	23	280	0.018
		935	100L	1.55	75.5	71.5	4.20	180	23	220	0.033
3	2.2	2850	90L	0.76	83.5	88.5	4.60	250	39	280	0.015
		1430	100L	1.52	80.0	82.0	5.18	210	39	260	0.033
		950	112M	2.29	78.0	76.0	5.73	180	39	230	0.06
5	3.7	2875	112M	1.26	85.5	90.0	7.36	240	63	280	0.039
		1440	112M	2.52	84.5	83.5	8.03	220	63	260	0.06
		960	132S	3.78	80.5	75.5	9.32	180	63	230	0.154
7.5	5.5	2900	132S	1.88	86.5	88.5	11.10	210	93	260	0.066
		1450	132S	3.75	86.0	82.5	12.00	220	93	250	0.106
		960	132M	5.67	84.5	77.5	13.00	200	93	230	0.222
10	7.5	2900	132S	2.50	88.5	88.5	14.50	200	116	210	0.078
		1450	132M	5.00	87.5	85.5	15.20	220	116	250	0.146
		970	160M	7.48	85.5	80.0	16.60	210	116	230	0.408
15	11	2930	160M	3.72	88.5	90.0	21.30	200	168	240	0.164
		1460	160M	7.46	89.5	88.0	21.60	220	168	250	0.322
		970	160L	11.20	88.5	84.0	22.90	210	168	230	0.599
20	15	2930	160M	4.95	90.0	91.0	27.70	200	209	240	0.191
		1460	160L	9.94	90.5	88.5	28.30	220	109	240	0.389
		970	180M	15.00	89.0	82.5	30.90	200	209	210	1.007
25	18.5	2915	160L	6.23	90.0	89.5	35.20	200	268	230	0.247
		1460	180M	12.40	91.0	86.5	36.00	210	268	240	0.624
		970	180L	18.70	90.0	82.5	38.20	200	268	210	1.17
30	22	2950	180M	7.38	91.5	90.0	41.30	200	319	230	0.315
		1455	180M	15.00	90.5	85.0	43.90	210	319	240	0.671
		970	180L	22.40	89.5	82.0	46.30	200	319	210	1.365
40	30	2935	180L	9.89	92.0	91.0	54.20	180	398	210	0.373
		1455	180L	20.00	91.0	85.0	58.60	180	398	220	0.829
		970	200L	29.90	91.0	83.0	60.00	190	398	200	1.952
50	37	2950	200L	12.30	91.5	87.5	70.80	150	463	210	0.543
		1460	200L	24.90	91.5	86.0	72.00	190	463	210	1.293
		970	200L	37.40	90.0	80.0	78.70	190	463	200	2.292
60	45	2950	200L	14.80	92.5	87.0	84.50	140	582	200	0.659
		1460	200L	29.80	92.0	88.5	83.50	190	582	200	1.681
		980	225S	44.40	91.0	80.0	93.40	170	582	200	3.201
75	55	2950	225S	18.50	92.5	90.5	102.00	140	725	210	1.234
		1470	225S	37.00	92.5	85.0	108.00	180	725	200	1.947